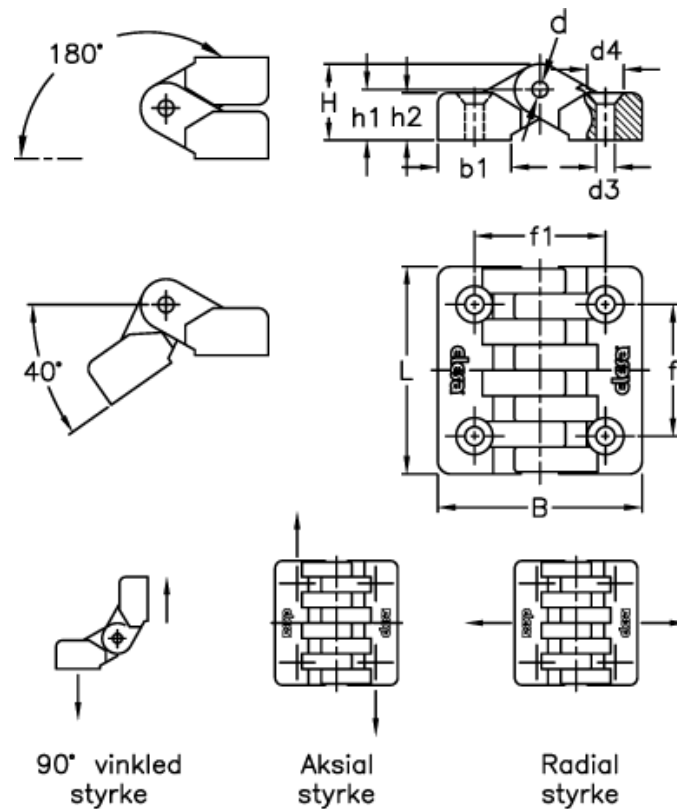


Data Sheet



Article number: 2310422411
 Description: E+G Hinge
 CFA.40 SH-4

Measures



90 degrees ultimate strength R90 (N)	= 1520	f1 +/-0.25	= 25.0
Axial ultimate strength Ra (N)	= 2080	H	= 14
B	= 38.5	h1	= 9.5
b1	= 14	h2	= 9.5
d	= 3	L	= 39.5
d3	= 4.5	Max. axial load Ea (N)	= 130
d4	= 8.5	Max 90 degrees load E90 (N)	= 280
f +/-0.25	= 25.1	Max radial load Er (N)	= 290

Max tightening tor
 Radial ultimate str